

DESCRIPTION

AUTOBAG® Brand 500 Series Bagging Systems efficiently bag and seal your products. Available in two model configurations operating at speeds up to 100 bags per minute (BPM) for the AUTOBAG® 500 and 45 BPM for the AUTOBAG® 550. These high-speed bagging systems are designed for reliability, flexibility, and optimizing packaging throughput.

A straightforward, simple design with few moving parts reduces lifetime cost and the open design provides flexible compatibility with AUTOBAG® counters, scales, and infeeds. The intuitive interface provides easy troubleshooting and diagnostics. Production data retrieval simplifies maintenance and optimizes productivity.

The AUTOBAG® 550 includes many of the same conveniences of the standard AUTOBAG® 500 with the addition of a thermal transfer printer. This provides next-bag-out printing technology that is ideal for short run, order fulfillment and ecommerce applications. High resolution graphics, text and bar codes can be printed on the bag, eliminating the need for a separate labeling system.

KEY BENEFITS



Operational
Efficiency

- Modular components simplify maintenance and repairs to maximize uptime
 - Minimal guarding provides unobstructed access to the open bag
 - Multi-position unwind with tension control simplifies changeover
 - Processor controlled servo motors, ethernet-capable printer networking, and flexible mechanical design streamlines integration
 - Compact footprint minimizes floor space
 - The touch screen enables access to a help system, on-board diagnostics, and performance monitoring
 - Simple height adjustment and casters for operator comfort and portability
 - A 45 degree tilt option is available for orienting long or delicate products
 - Adjustable pass-through up to 5" for maximum flexibility and packaging efficiency
 - Optional Additions: multiple inline printer options, scales, conveyors, unwinds, counting systems, product load trays, and bag-in-a-box adapters
-
- Runs a wide variety of bag size options
 - We maintain over 100 styles of stock bags and manufacture custom bags that include printing in up to 10 colors and a variety of special features



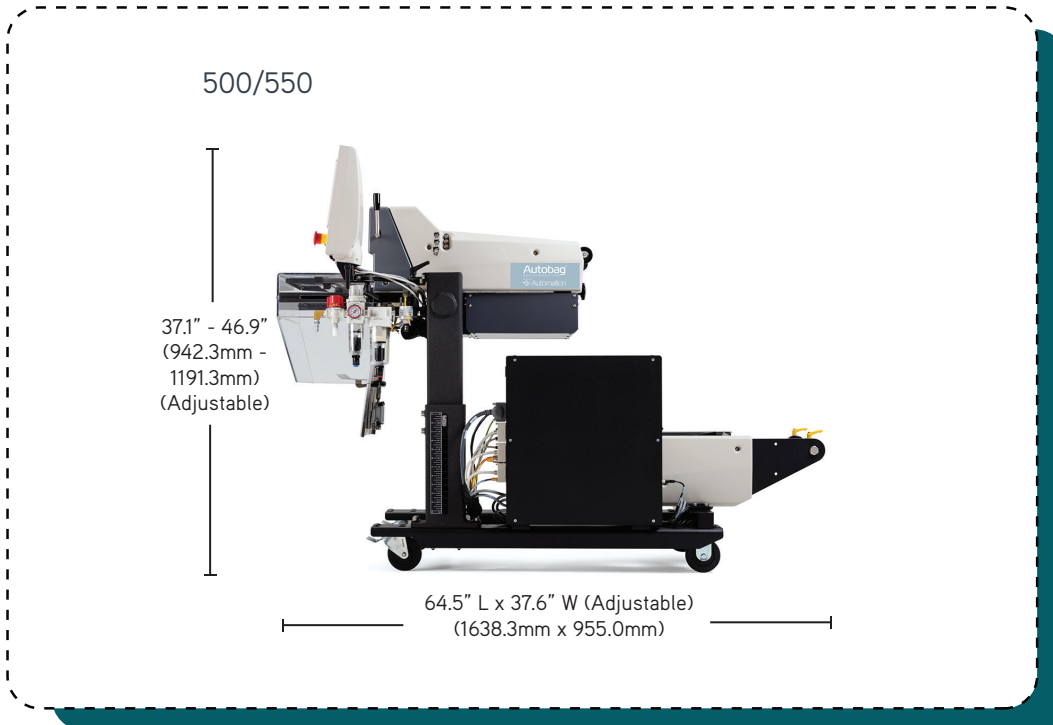
Package
Optimization



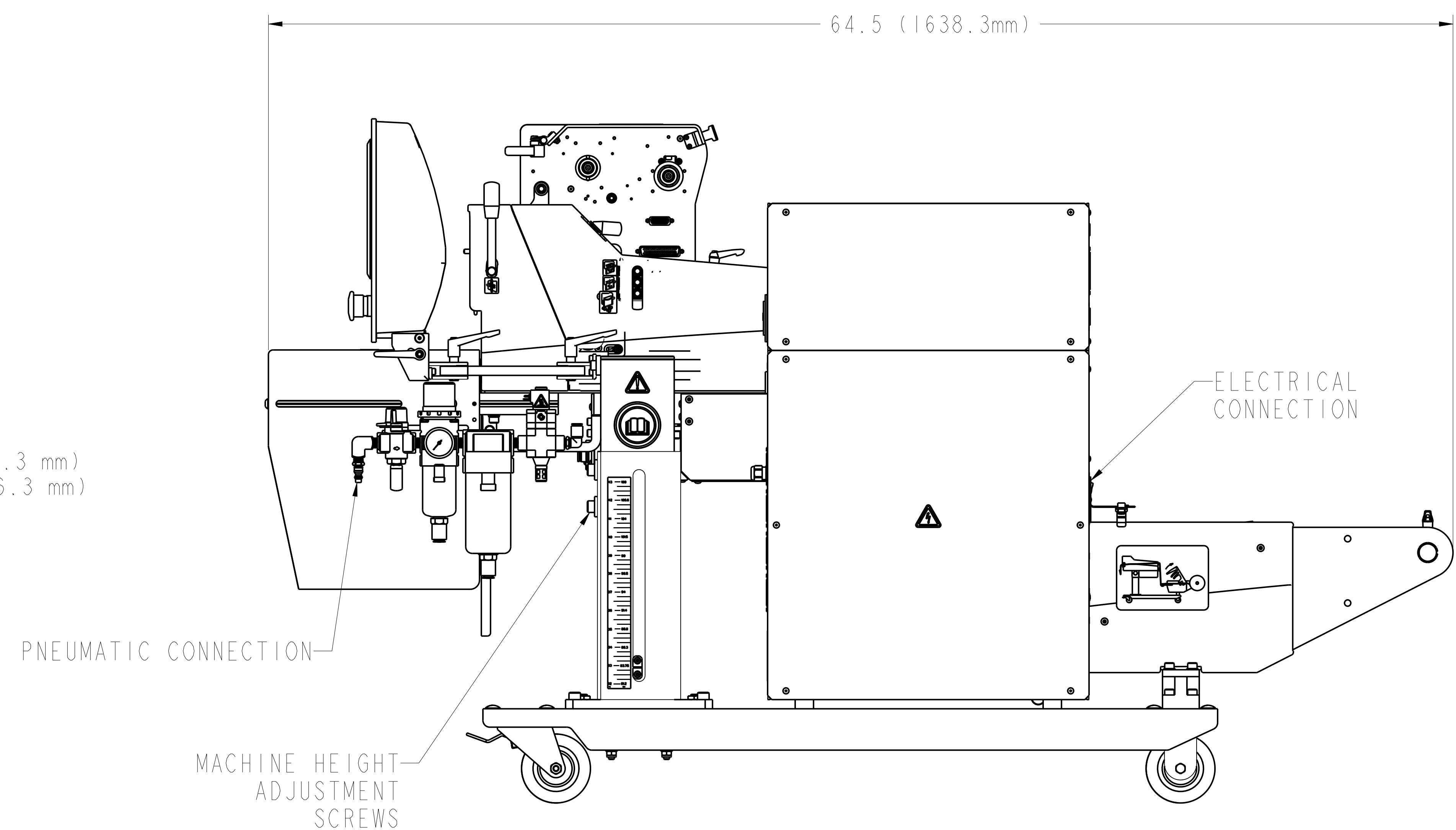
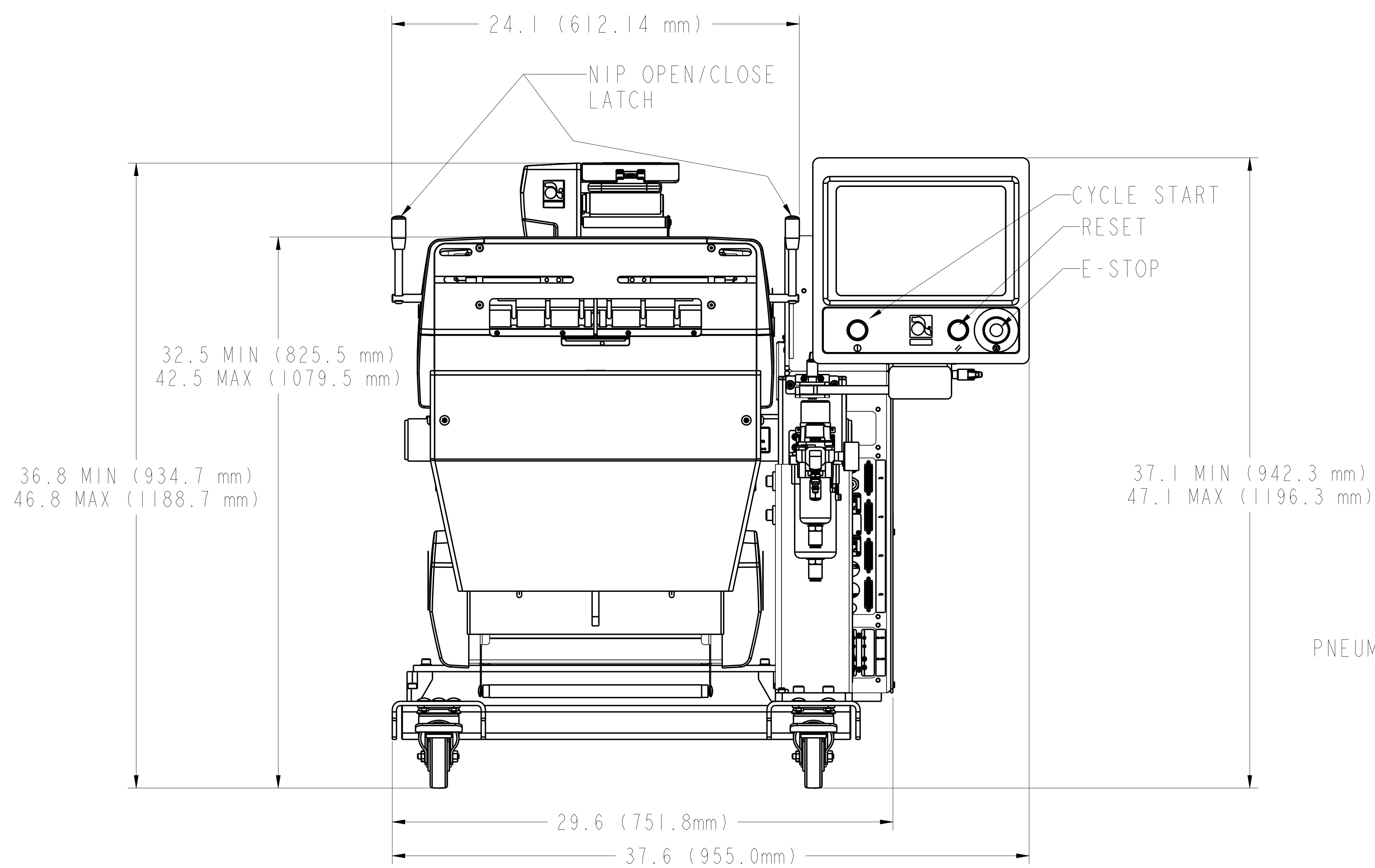
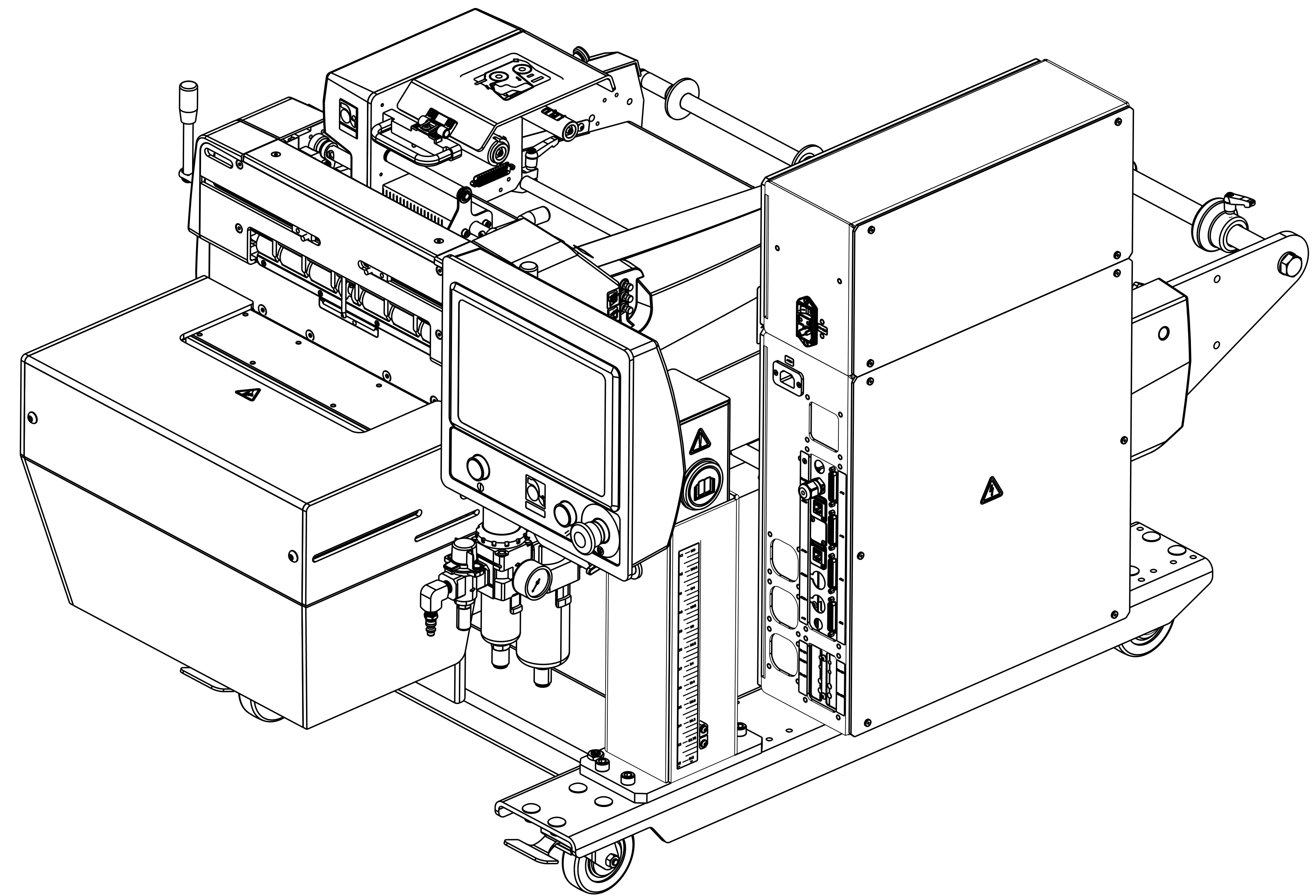
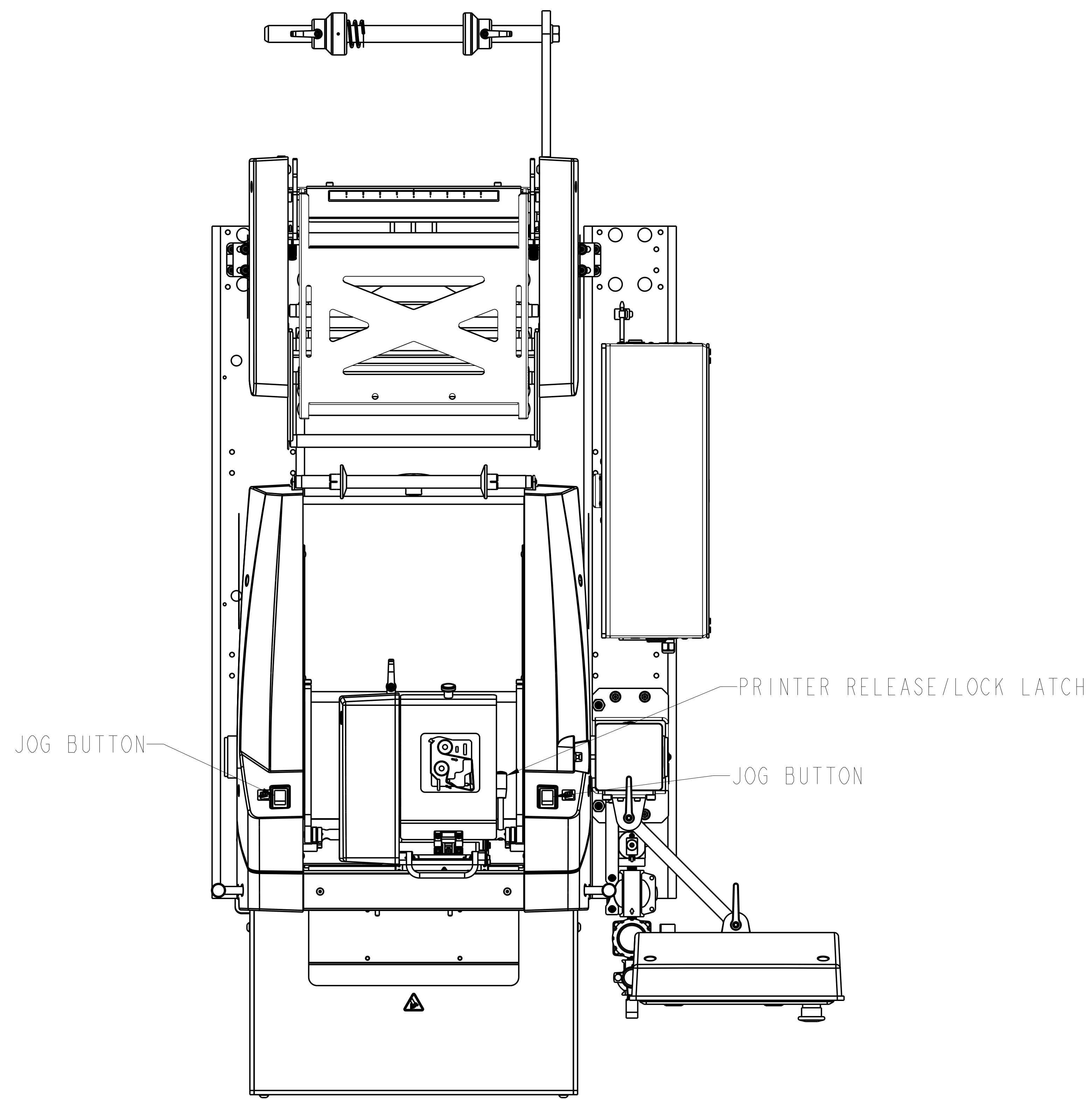
TECHNICAL DATA

	500	550
DIMENSIONS: (W x L x H)	37.6" (Adjustable) x 64.5" x 37.1"-46.9" (Adjustable) (955.0 mm x 1638.3 mm x 942.3 - 1191.3 mm)	37.6" (Adjustable) x 64.5" x 37.1"-46.9" (Adjustable) (955.0 mm x 1638.3 mm x 942.3 - 1191.3 mm)
WEIGHT:	350 lbs.	390 lbs.
SPEED:	Up to 100 BPM	Up to 45 BPM
ELECTRICAL:	110V to 240V VAC, 50/60Hz	110V to 240V VAC, 50/60Hz
CONNECTIVITY:	N/A	Ethernet, USB, and Serial
BAG SIZES: (W x L)	2" - 12" x 2.5" - 20" (50.8 mm - 304.8 mm) x (63.5 mm - 508.0 mm)	2" - 12" x 5" - 20" (50.8 mm - 304.8 mm) x (127 mm - 508.0 mm)
BAG THICKNESS:	1.09-4.0 mil	1.09 - 4.0 mil
PASS THROUGH:	5" (127mm) max	5" (127mm) max
WEIGH CAPACITY:	Up to 5lbs. (with load shelf)	Up to 5lbs. (with load shelf)
PRINTER NEXT OUT BAG:	No	Yes

EQUIPMENT LAYOUT



SPECIFICATIONS	
WEIGHT	420 LBS (191 KG)
ELECTRICAL	100-240VAC SINGLE PHASE, 50/60 Hz POWER CONSUMPTION: 600W MAX
AIR FEED	5 CFM/80 PSI OF CLEAN, DRY AIR
PASS-THROUGH	UP TO 5 INCHES (127 mm)
BAG THICKNESS	1.09 - 4.0 MIL
BAG SIZES	WIDTH: 2 to 12 INCHES (50.8 TO 304.8 mm) / LENGTH: 5 to 20 INCHES (127 TO 508 mm)
WEIGHT CAPACITY	UP TO 5 LBS (0.5 KG) (WITH LOAD SHELF)



REV	BY	DATE	ECN	DESCRIPTION
C	DMF	8-15-22		UPDATED WEIGHT AND CONSUMPTION SPECS
B	AJZ	1-22-20		EDIT TO METRIC
A	DMF	10-4-16	AB3	RELEASED

FINISH	NONE
MATERIAL	
<small>MACHINE SURFACES TO BE NO GREATER THAN 125 (3.2) μm ROUNDED CORNERS PART MUST BE FREE OF BURRS AND SHARP EDGES DIMENSIONS: TOLERANCES: μm 3 PLACE DIMS ± 0.1 2 PLACE DIMS ± 0.2 1 PLACE DIMS ± 0.5 FINISH: 125</small>	
<small>NOTE: THIS DOCUMENT CONTAINS PROPRIETARY INFORMATION AND IS ONLY TO BE USED BY PERSONNEL OF THE SYSTEMS DIVISION. IN WHOLE OR IN PART. WITHOUT THE WRITTEN CONSENT OF AUTOMATED PACKAGING SYSTEMS INC.</small>	
<small>FINISH: NONE THIRD ANGLE PROJECTION</small>	

<small>10175 PHILIPP PARKWAY - STREETSDORO, OH 44241</small> Automated PACKAGING SYSTEMS	<small>DRAWING NO.</small> FP230
<small>DRAWING SIZE</small> E	<small>SCALE</small> 1/4
<small>TITLE</small> FOOTPRINT, AB 550	<small>DRAWING NO.</small> FP230
<small>DATE</small> 10-4-16	<small>DRW REFERENCE NUMBER</small> AB 550
<small>REV</small> 1	<small>DATE</small> 10-4-16
<small>BY</small> DMF	<small>ECN</small> AB 550
<small>DESCRIPTION</small> FOOTPRINT, AB 550	<small>REVISION</small> 1