

DESCRIPTION

AUTOBAG® Brand 600 Series Bagging Systems efficiently bag and seal your products. Available in three model configurations operating at speeds up to 65 bags per minute (BPM) for the AUTOBAG® 600/600H and 40 BPM for the AUTOBAG®650. These high-speed bagging systems are ideal for large packaging operations.

A straightforward, simple design with few moving parts reduces lifetime cost and the open design provides flexible compatibility with AUTOBAG® counters, scales, and infeeds. The intuitive interface provides easy troubleshooting and diagnostics. Production data retrieval simplifies maintenance and optimizes productivity.

The AUTOBAG® 650 includes many of the same conveniences of the standard AUTOBAG® 500 with the addition of a thermal transfer printer. This provides next-bag-out printing technology that is ideal for short run, order fulfillment and ecommerce applications. The AUTOBAG® 600H is a horizontal bagging system with a large loading area for order prep and bulk product queuing.

KEY BENEFITS



Operational
Efficiency

- Modular components simplify maintenance and repairs to maximize uptime
- Minimal guarding provides unobstructed access to the open bag
- The horizontal bagger provides a 16" wide bag loading area ideal for large or bulk products
- Processor controlled servo motors, ethernet-capable printer networking, and flexible mechanical design streamline integration
- Compact footprint minimizes floor space
- The touch screen enables access to a help system, on-board diagnostics, and performance monitoring
- Simple height adjustment and casters for operator comfort and portability. A horizontal option is available, which includes a large workspace, ideal for a wide range of ecommerce fulfillment applications
- A 45 degree tilt option is available for orienting long or delicate products
- Adjustable pass-through up to 6" for maximum flexibility and packaging efficiency
- Optional Additions: multiple inline printer options, scales, conveyors, unwinds, counting systems, product load trays, and bag-in-a-box adapters



Package
Optimization

- Runs a wide variety of bag size options
- We maintain over 100 styles of stock bags and manufacture custom bags that include printing in up to 10 colors and a variety of special features



TECHNICAL DATA

	600
DIMENSIONS: (W x L x H)	46.1" (Adjustable) x 69.5" x 37.1"-47.1" (Adjustable) 1170.9 mm x 1765.3 mm x 942.3 - 1196.3 mm)
WEIGHT:	410 lbs.
SPEED:	Up to 65 BPM
ELECTRICAL:	110V to 240V VAC, 50/60Hz
CONNECTIVITY:	N/A
BAG SIZES: (W x L)	4"-16" x 5.5"-27" (101.6mm - 406.4mm) x (139.7mm - 685.8mm)
BAG THICKNESS:	1.09-4.0 mil
PASS THROUGH:	6" (152.4mm) max
WEIGH CAPACITY:	Up to 5lbs. (with load shelf)
PRINTER NEXT OUT BAG:	No

	650
DIMENSIONS: (W x L x H)	46.1" (Adjustable) x 69.5" x 37.1"-47.1" (Adjustable) 1170.9 mm x 1765.3 mm x 942.3 - 1196.3 mm)
WEIGHT:	450 lbs.
SPEED:	Up to 40 BPM
ELECTRICAL:	110V to 240V VAC, 50/60Hz
CONNECTIVITY:	Ethernet, USB, and Serial
BAG SIZES: (W x L)	2"-12" x 5"-20" (101.6mm - 406.4mm) x (139.7mm - 685.8mm)
BAG THICKNESS:	1.09 - 4.0 mil
PASS THROUGH:	6" (152.4mm) max
WEIGH CAPACITY:	Up to 5lbs. (with load shelf)
PRINTER NEXT OUT BAG:	Yes

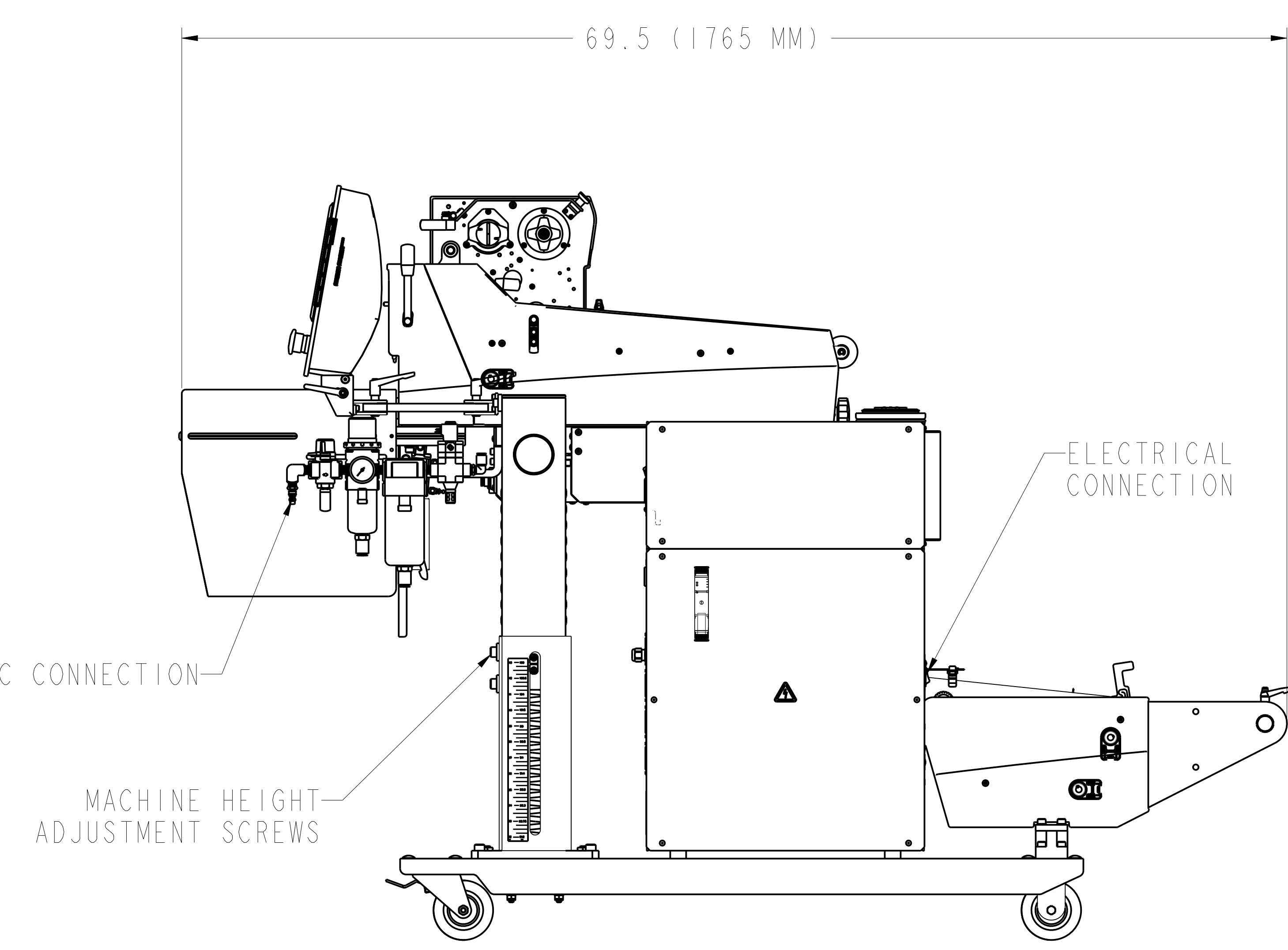
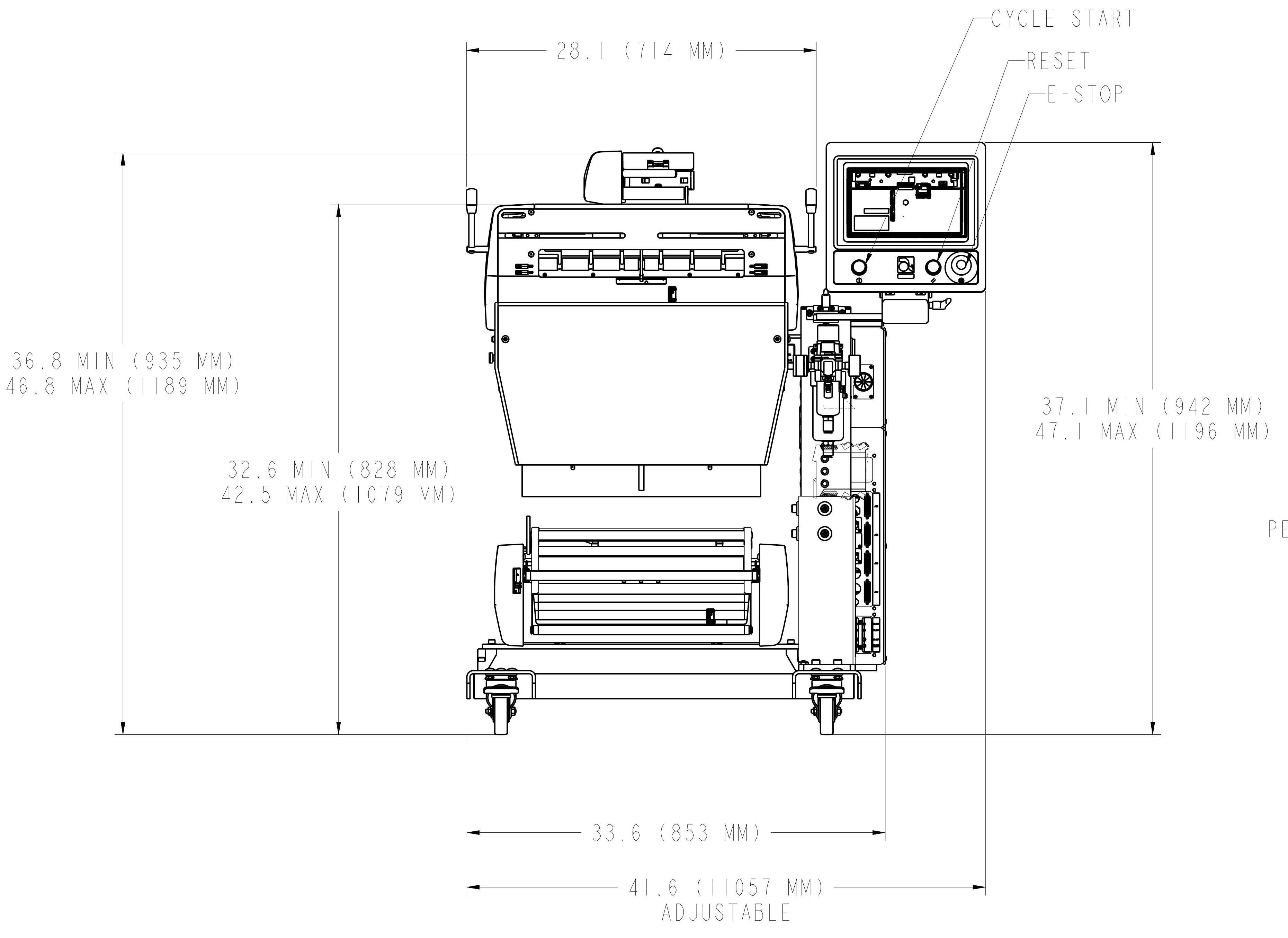
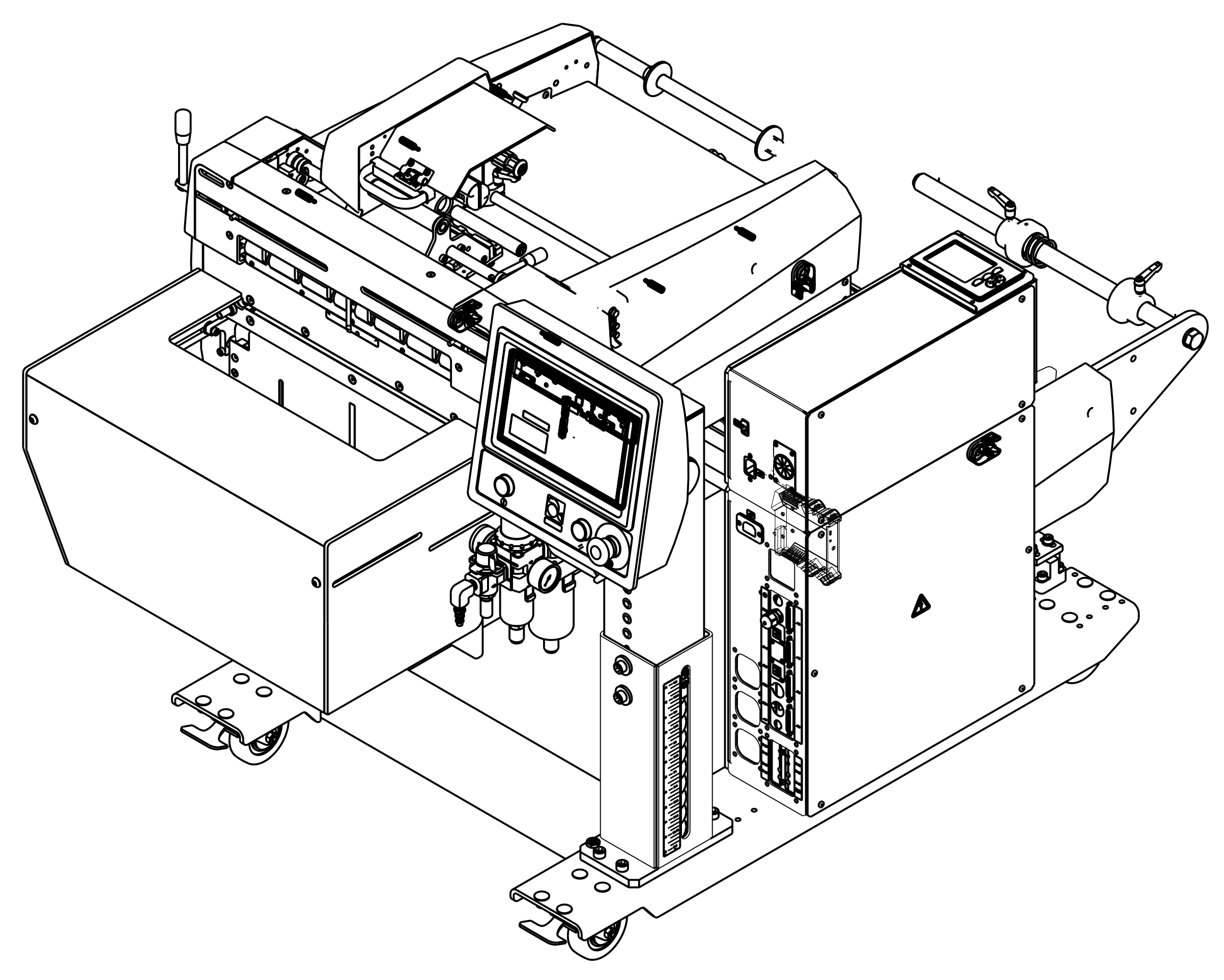
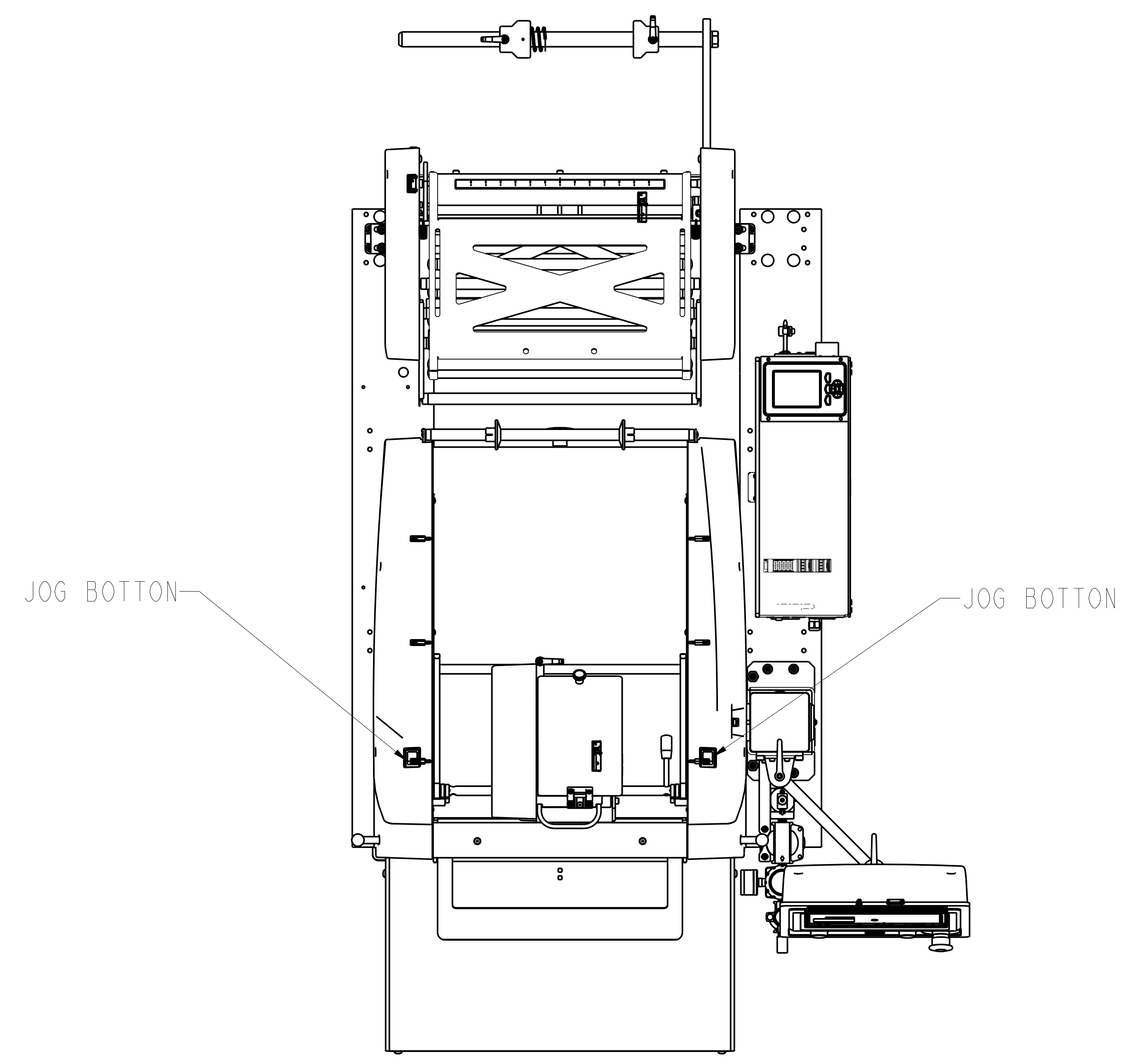
	600H
DIMENSIONS: (W x L x H)	34.4" x 66.6" x 34.2"(load table) / 53.6" (top of HMI) (873.8 mm x 1691.6 mm x 868.7 - 1361.4 mm)
WEIGHT:	570 lbs.
SPEED:	Up to 65 BPM
ELECTRICAL:	110V to 240V VAC, 50/60Hz
CONNECTIVITY:	N/A
BAG SIZES: (W x L)	4"-16" x 5.5"-36" (101.6mm - 406.4mm) x (139.7mm - 914.4mm)
BAG THICKNESS:	1.09-4.0 mil
PASS THROUGH:	6" (152.4mm) max
WEIGH CAPACITY:	Up to 5lbs. (with load shelf)
PRINTER NEXT OUT BAG:	No

EQUIPMENT LAYOUT



SPECIFICATIONS	
WEIGHT	450 LBS (204.1 KG)
ELECTRICAL	UNIVERSAL INPUT, 100V TO 240V VAC, 50/60 Hz POWER CONSUMPTION: 1800W (VA) MAX
AIR FEED	5 CFM/80 PSI OF CLEAN, DRY AIR
PASS-THROUGH	UP TO 6 INCHES (152 MM)
BAG THICKNESS	1.09 - 4.0 MIL
BAG SIZES	WIDTH: 4 to 16 INCHES (102 TO 406 MM) / LENGTH: 5.5 to 27 INCHES (140 TO 686 MM)
WEIGHT CAPACITY	UP TO 5 LBS (WITH LOAD SHELF)

PRINTER SPECIFICATIONS	
WEIGHT	68 LBS (31 KG)
ELECTRICAL	100-240V, 50/60 Hz, 2.4 KW
AIR FEED	SUPPLIED FROM BAGGER
LABEL SIZE	UP TO 4 INCHES (102 MM) WIDE, 20 INCHES (508 MM) LONG



Fabricated & Documented to be RoHS Compliant

FINISH	NONE															
MATERIAL	N/A															
REVISIONS	<table border="1"> <thead> <tr> <th>REV</th> <th>BY</th> <th>DATE</th> <th>ECN</th> <th>DESCRIPTION</th> </tr> </thead> <tbody> <tr> <td>B</td> <td>AZ</td> <td>1-23-20</td> <td></td> <td>METRIC DIMENSIONS</td> </tr> <tr> <td>A</td> <td>DMF</td> <td>4-1-19</td> <td>1896</td> <td>RELEASED</td> </tr> </tbody> </table>	REV	BY	DATE	ECN	DESCRIPTION	B	AZ	1-23-20		METRIC DIMENSIONS	A	DMF	4-1-19	1896	RELEASED
REV	BY	DATE	ECN	DESCRIPTION												
B	AZ	1-23-20		METRIC DIMENSIONS												
A	DMF	4-1-19	1896	RELEASED												
<table border="1"> <thead> <tr> <th>DRIVING SIZE</th> <th>SCALE</th> <th>DRAWN BY</th> <th>DATE</th> <th>REV</th> <th>DESCRIPTION</th> </tr> </thead> <tbody> <tr> <td>E</td> <td>1/4</td> <td>DMF</td> <td>4-1-19</td> <td></td> <td></td> </tr> </tbody> </table>	DRIVING SIZE	SCALE	DRAWN BY	DATE	REV	DESCRIPTION	E	1/4	DMF	4-1-19			<p>Automated PACKAGING SYSTEMS 10175 PHILIPP PARKWAY - STREETSBORO, OH 44221</p> <p>10175 PHILIPP PARKWAY - STREETSBORO, OH 44221</p> <p>10175 PHILIPP PARKWAY - STREETSBORO, OH 44221</p>			
DRIVING SIZE	SCALE	DRAWN BY	DATE	REV	DESCRIPTION											
E	1/4	DMF	4-1-19													
<p>NOTE: THIS DOCUMENT CONTAINS PROPRIETARY INFORMATION AND IS NOT TO BE REPRODUCED OR DISSEMINATED WITHOUT THE WRITTEN CONSENT OF AUTOMATED PACKAGING SYSTEMS INC.</p>	<p>THIRD ANGLE PROJECTION</p>															
<p>INCH (MM)</p>	<p>FOOTPRINT, AB650</p>															
<p>SHEET 1 OF 1</p>	<p>AB650</p>															