

DESCRIPTION

AUTOBAG® Brand 800S Series Bagging Systems are uniquely designed to provide enhanced productivity for large bag packaging applications up to 22" wide. These systems feature a breakthrough bag opening technology that securely grips and holds the bags open in place, creating a large opening for easy loading of large products and multiple items.

The ergonomic design provides flexible compatibility with AUTOBAG® counters, scales, and infeeds. The intuitive interface provides easy troubleshooting and diagnostics. Production data retrieval simplifies maintenance and optimizes productivity. These baggers easily integrate with ecommerce warehouse management systems and other auxiliary equipment such as conveyors or scanners.

The AUTOBAG® 850S includes many of the same conveniences of the standard AUTOBAG® 800S with the addition of a thermal transfer printer. This provides next-bag-out printing technology that is ideal for short run, order fulfillment, and ecommerce applications. In addition, One Step printing enables in line printing of shipping label information and prevents order queuing while increasing order accuracy.

KEY BENEFITS



Operational
Efficiency

- Advanced bag opening system to minimize bag size and facilitate multi-line orders
 - Minimal guarding provides unobstructed access to the open bag
 - Simple bag threading for easy changeover and keeping product lines running smoothly
 - A sophisticated tension control unit centers and monitors the position of the film throughout bagging
 - Compact footprint minimizes floor space
 - The touch screen enables access to a help system, on-board diagnostics, and performance monitoring
 - Modular bag storage shelf speeds up bag changeovers
 - Simple height adjustment and casters for operator comfort and portability
 - Programmable pass-through up to 11" for maximum flexibility and packaging efficiency
 - Easily integrates with automation equipment and existing production lines
 - Optional Additions: rear takeaway conveyor, side exit takeaway conveyor, multiple inline printer options, scales, conveyors, unwinds, counting systems, and product load trays
- Coordinated seal flattener for wrinkle free seals
 - Runs a wide variety of bag size options, up to 22" wide
 - We maintain over 100 styles of stock bags and manufacture custom bags that include printing in up to 10 colors and a variety of special features



Package
Optimization



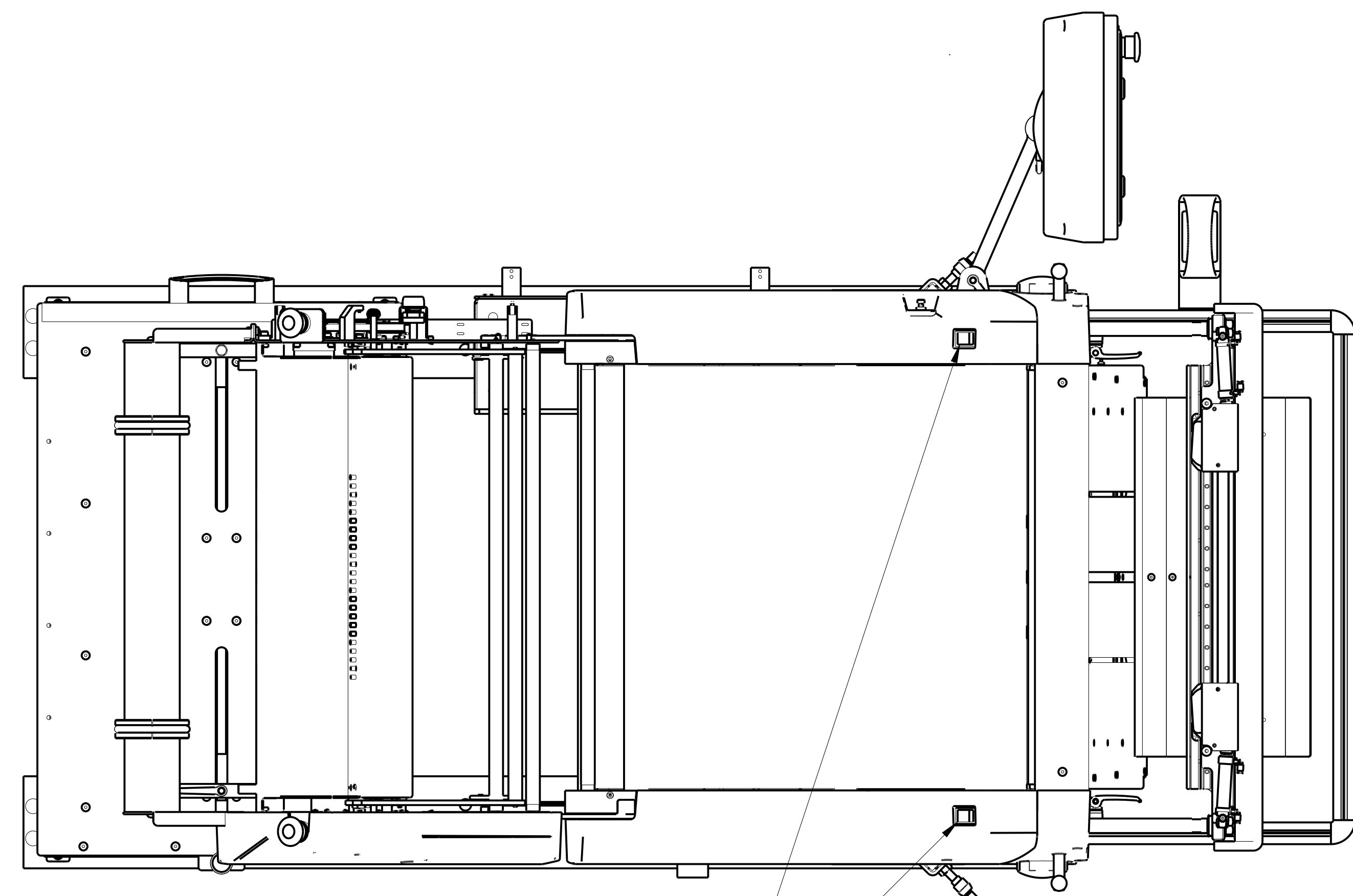
TECHNICAL DATA

	800S	850S
DIMENSIONS: (W x L x H)	45.3" (Adjustable) x 72" x 43.5"-55.5" (Adjustable) (1150.6 mm x 1828.8 mm x 1104.9 - 1409.7 mm)	45.3" (Adjustable) x 72" x 43.5"-55.5" (Adjustable) (1150.6 mm x 1828.8 mm x 1104.9 - 1409.7 mm)
WEIGHT:	660 lbs.	700 lbs.
SPEED:		
ELECTRICAL:	110V to 220V VAC, 50/60Hz, 1.0 kW max, 20A circuit	110V to 220V VAC, 50/60Hz, 1.0 kW max, 20A circuit
CONNECTIVITY:	N/A	Ethernet, USB, and Serial
BAG SIZES: (W x L)	10" - 22" x 10" - 36" (254 mm - 558.8 mm) x (254 mm - 914.4 mm)	10" - 22" x 10" - 36" (254 mm - 558.8 mm) x (254 mm - 914.4 mm)
BAG THICKNESS:	1.09 - 4.0 mil	1.09 - 4.0 mil
PASS THROUGH:	11" (279.4mm) max	11" (279.4mm) max
WEIGH CAPACITY:	Up to 10lbs. (with load shelf)	Up to 10lbs. (with load shelf)
PRINTER NEXT OUT BAG:	No	Yes

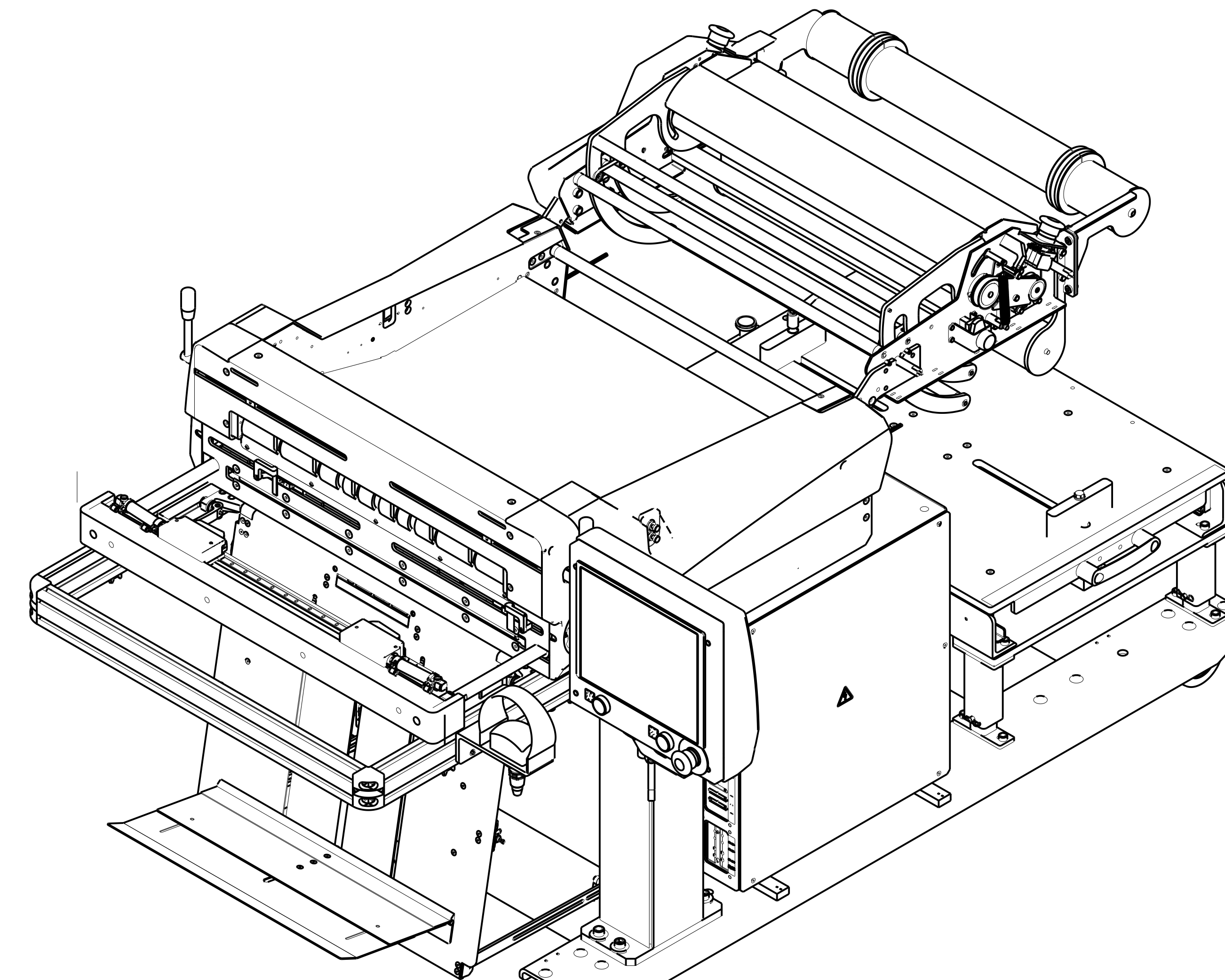
EQUIPMENT LAYOUT



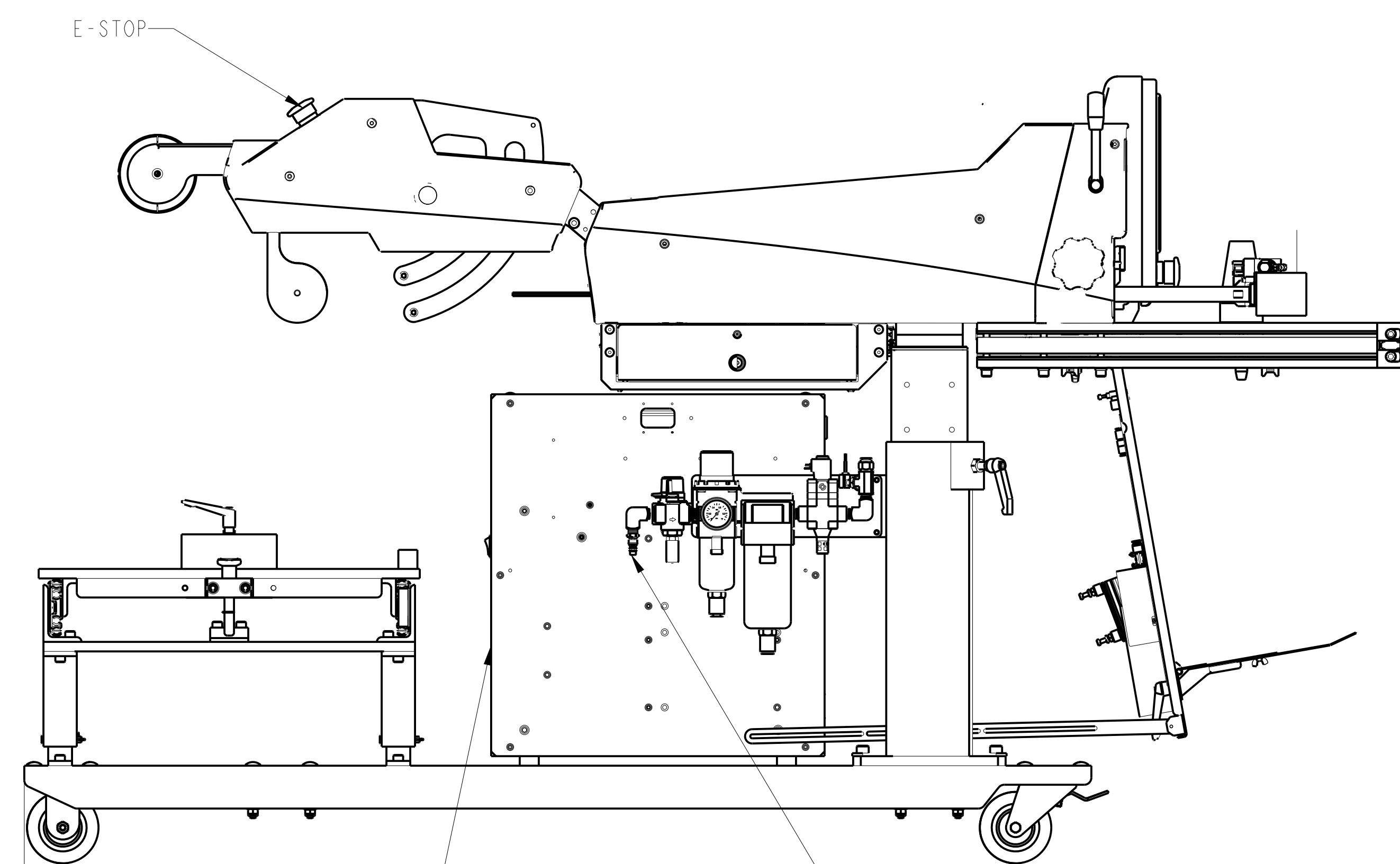
SPECIFICATIONS	
WEIGHT	545 LBS (247.2 KG)
ELECTRICAL	UNIVERSAL INPUT 100V - 240V VAC 50/60 Hz POWER CONSUMPTION 1800 WATTS MAX
AIR FEED	5 SCFM @ 80 PSI (141 LPM @ 5.5 BAR)
PASS THROUGH	UP TO 11 IN (280 MM)
BAG SIZES	W 10-22 IN (254 - 559 MM) L 10-36 IN (254 - 914 MM)
WEIGHT CAPACITY	UP TO 10 LBS (4.5 KG)



JOG BUTTON



SCALE 3/16

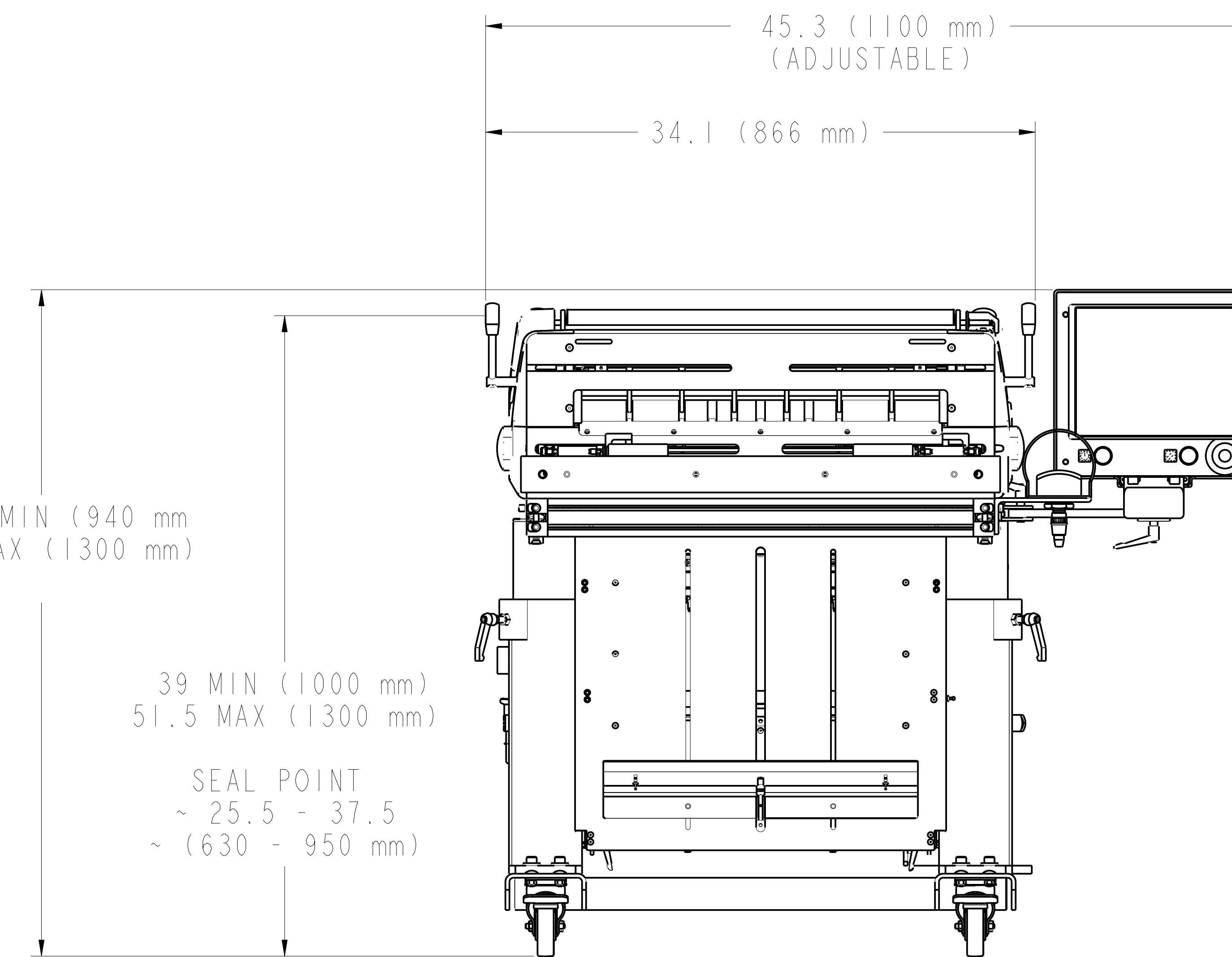


E-STOP

ELECTICAL CONNECTION

PNEUMATIC CONNECTION

72.3
(1839 mm)



45.3 (1100 mm)
(ADJUSTABLE)

34.1 (866 mm)

36.8 MIN (940 mm)
49.3 MAX (1300 mm)

39 MIN (1000 mm)
51.5 MAX (1300 mm)

SEAL POINT
~ 25.5 - 37.5
~ (630 - 950 mm)

REV	BY	DATE	ECN	DESCRIPTION
B	GHW	6-11-20		ADDED METRIC DIMENSIONS
A	GHW	7-17-17	1131	RELEASED

FINISH	NONE
MATERIAL	N/A
MACHINING SURFACES TO BE NO GREATER THAN 125 (3.2) ✓ GREEN COATED SURFACES PARTS MUST BE FREE OF BURRS AND SHARP EDGES	
TOLERANCES UNLESS OTHERWISE SPECIFIED	FRACTIONS DECIMALS
1 PLACE DIMS	± .1
2 PLACE DIMS	± .05
3 PLACE DIMS	± .01
ANGLES	± .1°

DRAWING SIZE	E	SCALE	3/32	DRAWN BY	GHW	DATE	7-17-17
TITLE	FOOTPRINT		AB800	DRAWING NO.	FP236	SHEET 1 OF 1	REV.

Automated PACKAGING SYSTEMS	
10175 PHILIPP PARKWAY - STREETSBORO, OH 44221	